



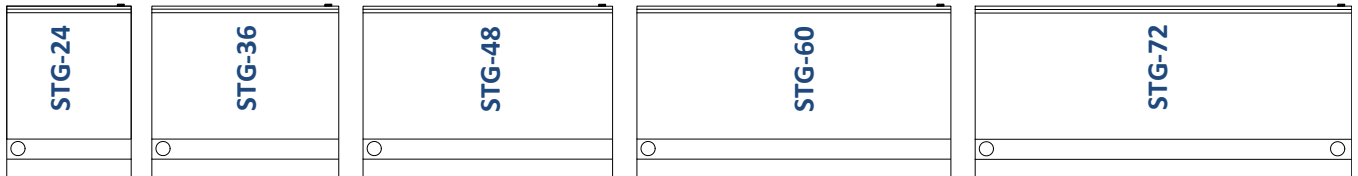
# H.D THERMO CONTROL GRIDDLE



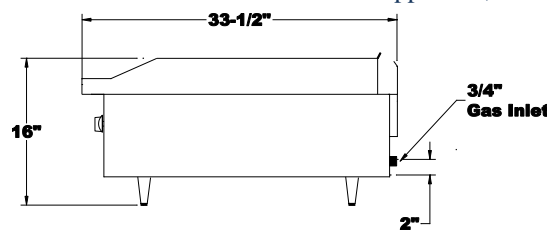
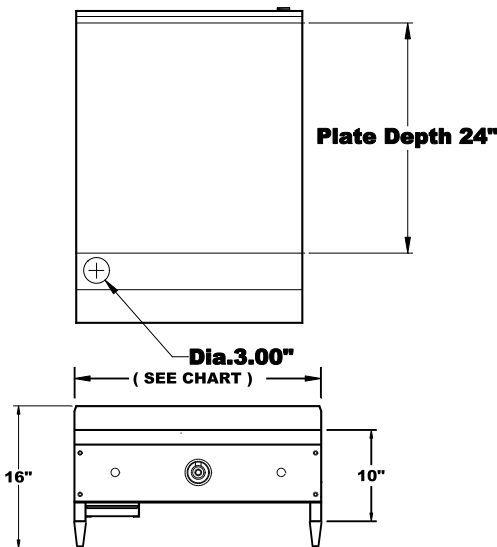
**Stratus Thermo Griddle** insures that the heat is evenly distributed over the entire griddle surface, front to back and side to side. The recovery time is faster with the results enhancing overall productivity in your work place. Our griddles are designed for the most demanding food service operations. They are engineered with advance features for optimal performance. Thermostat control to operate every two burners and standing pilot for instant safe ignition. Every unit has flexibility to the space size of the cooking line up, assuring low operation and maintenance cost.

- Standard Features:**
- Thermostat maintains selected temperature during busy hours.
  - “U” burner rated at 30,000 BTU’s/hr located every 12” for even cooking on entire griddle surface.
  - High polished 1” thick steel griddle plate for sizes 24”,36”, 48”, 60” and 72”. Thickness of plate holds temperature and has quick recovery.
  - 24” Griddle cooking surface depth.
  - Stainless steel grease trough, 4” spatula width.
  - Stainless steel front, sides and valve cover.
  - Large capacity grease can.
  - 4” appliance legs are included.
  - 1 year parts and labor.

Heavy Duty Thermostatic Control Griddle					
Model	STG-24	STG-36	STG-48	STG-60	STG-72
No. of Burners	2	3	4	5	6
No. of thermos	1	2	2	3	3
T. BTUs	60,000	90,000	120,000	150,000	180,000
Dimensions (WxDxH*)	24”x33-1/2”x16”	36”x33-1/2”x16”	48”x33-1/2”x16”	60”x33-1/2”x16”	72”x33-1/2”x16”
Weight	290 lbs	360 lbs	431 lbs	600 lbs	750 lbs



Clearances:		
	Combustable	Non comb.
Rear	N/A	6”
Sides	N/A	6”



**Gas:** 3/4” NPT rear gas connection, specify type of gas and altitude if over 2,000 feet.  
**Pressure:** 5” W.C Natural Gas. 10” W.C Propane Gas.  
**Note:** Install the pressure regulator supplied with the appliance, at the inlet of the gas line.



STRATUS EQUIPMENT INCORPORATED.  
 1760 West First st. Azusa CA 91702 Phone 626-969-7041 Fax 626-969-7078  
[www.stratusequipment.com](http://www.stratusequipment.com) [stratusequipment@yahoo.com](mailto:stratusequipment@yahoo.com)